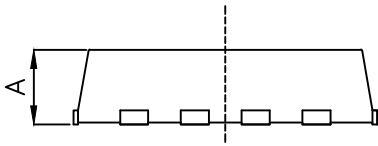
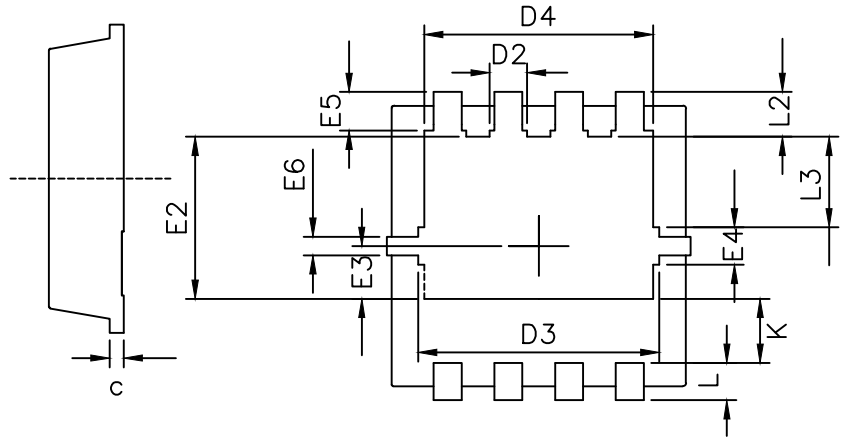
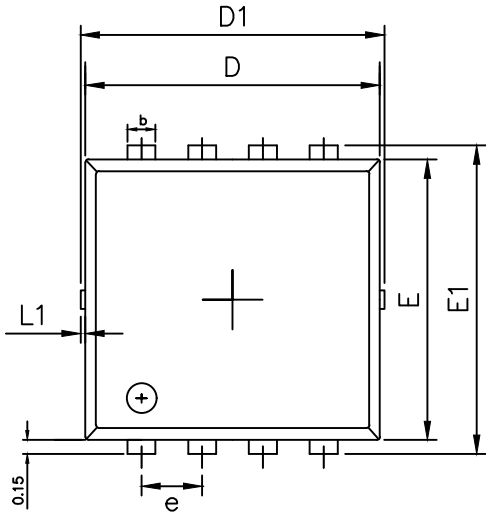
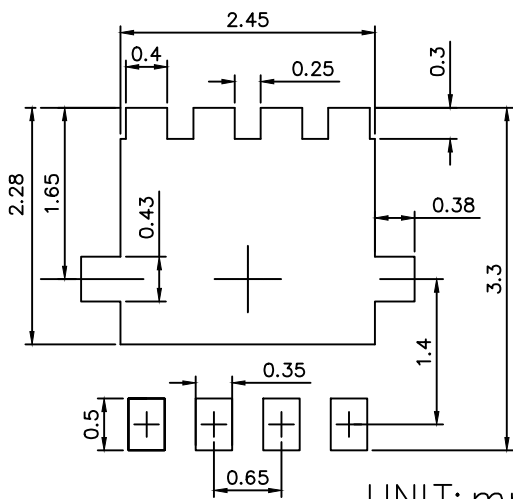


DFN3x3 PACKAGE OUTLINE



RECOMMENDED LAND PATTERN



UNIT: mm

| | MIN | NOM | MAX |
|----|-------|------|------|
| A | 0.70 | 0.85 | 1.00 |
| b | 0.24 | 0.30 | 0.40 |
| c | 0.10 | 0.15 | 0.25 |
| D | 3.00 | 3.15 | 3.25 |
| D1 | 3.10 | 3.25 | 3.50 |
| D2 | 0.30 | 0.40 | 0.50 |
| D3 | 2.50 | 2.58 | 2.70 |
| D4 | 2.35 | 2.45 | 2.55 |
| E | 2.90 | 3.00 | 3.10 |
| E1 | 3.15 | 3.30 | 3.45 |
| E2 | 1.65 | 1.75 | 1.85 |
| E3 | 0.48 | 0.58 | 0.68 |
| E4 | 0.23 | 0.40 | 0.50 |
| E5 | 0.20 | 0.30 | 0.40 |
| E6 | 0.075 | 0.17 | 0.25 |
| e | 0.55 | 0.65 | 0.75 |
| K | 0.52 | 0.72 | 0.82 |
| L | 0.25 | 0.40 | 0.55 |
| L1 | 0.00 | 0.05 | 0.10 |
| L2 | 0.28 | 0.43 | 0.58 |
| L3 | 0.88 | 0.98 | 1.08 |